



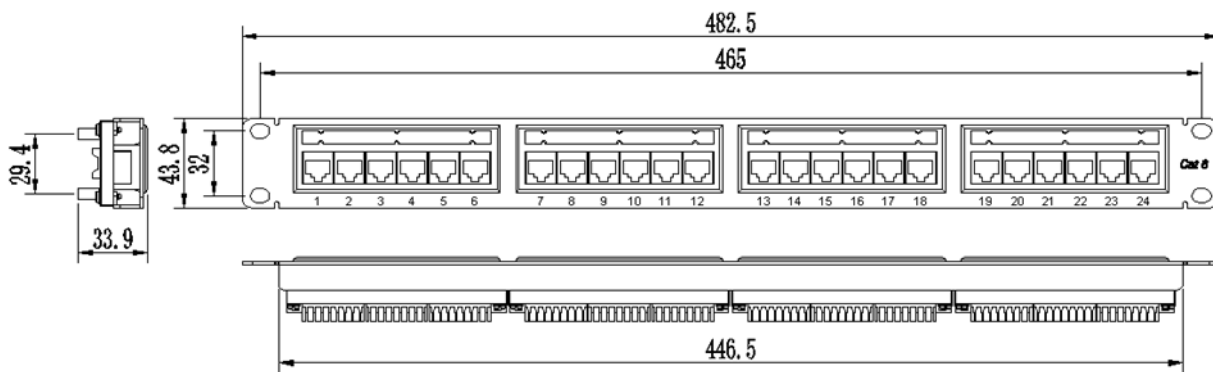
DESCRIPTION

CAT5E UTP 24-port patch panel, 110 & Krone type, matches and exceeds CAT5E 100MHZ connecting hardware specifications, suitable for interaction and termination of horizontal cabling between devices, equipment and centralized points

APPLICATION

- Unique exterior design, simple, compact and beautiful
- 110 & krone punch down tools are available
- High strength PC termination housing and solid and corrosion phosphor bronze IDC enables over 250 terminations
- Unique PCB circuit board design reduces EMI/RFI interference, low attenuation loss and high return loss
- Solid and easy installation design saves installation and operation costs
- Be compatible with 19-inch equipment racks, cabinets and wall mount shelf
- All ports are clearly labeled, especially the large in the front are helpful for ports identification
- With 50 μ ” gold plate, durability is 750 matching recycles
- With backward compatibility of CAT5E and lower classes

PRODUCT DIMENSION



CONSTRUCTION

<i>Description</i>	<i>Parameter</i>
Contact resistance(max)	20mΩ
Insulation resistance(min)	500MΩ
Return loss(dB)	5.8dB
Current strength (max)	1.5 A
Voltage	48 B